



TRANSDUCER/TRANSMITTER & TEMPERATURE PROBE

Models 135, 235, 335

FEATURES:

- Pressure and temperature measurement from a single mounting well
- Rugged, all-welded, all stainless steel construction
- Interchangeable with existing systems
- Adjustable calibration signal option
- Replaceable thermocouple during use (Type J std.)
- Internal Calibration Resistor set to 80% $\pm 0.5\%$ FSO
- Zero and Span controls, approximately $\pm 20\%$ FSO (235, 335 only)

PRESSURE RANGES:

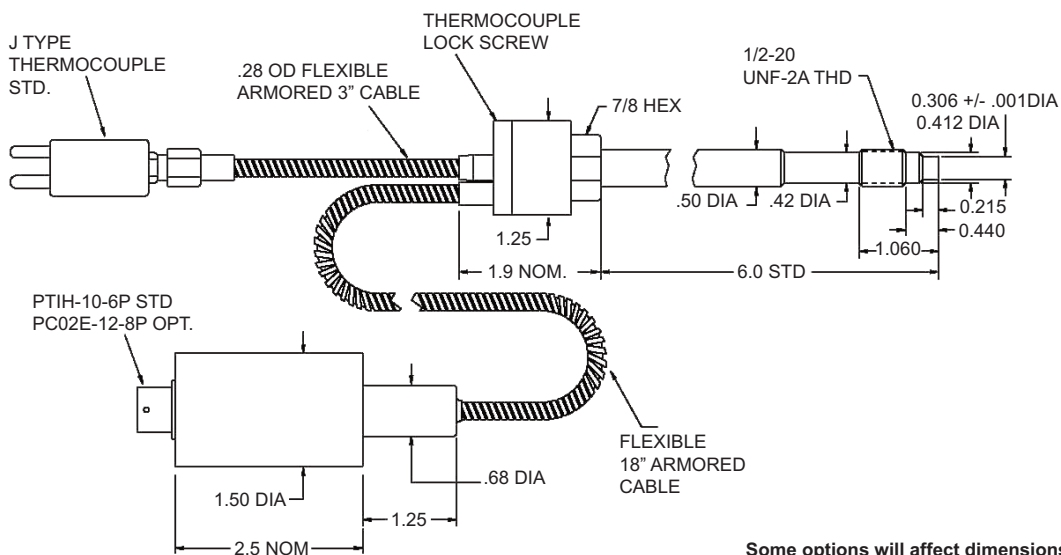
- From 0-500 through 0-30,000 psi (See ordering guide)

ACCURACY:

- (Non-Linearity, Hysteresis, Non-repeatability).
- $\pm 0.25\%$ FSO, RSS (0-5000 psi & higher)
 - $\pm 0.5\%$ FSO, RSS (0-500 and 0-3500 psi).



PLASTIC MELT PRESSURE



Some options will affect dimensions. Consult factory if important.

GP:50 reserves the right to make product improvements and amendments to the product specifications stated throughout this brochure without prior notification. Please contact the factory on all critical dimensions and specifications for verification.



Pressure, Level & Temperature Transmitters & Transducers

Specifications reflect standard product, improved performance/mechanical options available. Modifications may alter specs, consult factory for more information.

WIRING CODE

PTIH-10-6P	135	235	335
A/1	+ SIGNAL	+ SIGNAL	+ EXC./SIG-
B/2	- SIGNAL	- SIGNAL*	- EXC./SIGNAL
C/3	+ EXC.	+ EXC.	NC
D/4	- EXC.	- EXC.*	NC
E/5	CALIBRATE	CALIBRATE	CALIBRATE
F/6	CALIBRATE	CALIBRATE	CALIBRATE

PC02E-12-8P	135	235	335
A/1	+ EXC.	+ EXC.	+ EXC./SIGNAL
B/2	+ SIGNAL	+ SIGNAL	NC
C/3	- EXC.	- EXC.*	NC
D/4	- SIGNAL	- SIGNAL*	- EXC./SIGNAL
E/5	CAL. (Common)	CAL. (Common)	CALIBRATE
F/6	CAL. (Int. Res.)	CAL. (Int. Res.)	CALIBRATE
G/7	NC	NC	NC
H/8	CAL. (Ext. Res.)	CAL. (Ext. Res.)	NC

PIGTAIL	335	
RED	+ EXC./SIGNAL	* -Signal and - Excitation are common to each other.
BLACK	- EXC./SIGNAL	
SHIELD	NC	

ORDERING GUIDE:

Use the following codes to identify desired item.

MODEL	RANGE	OPTIONS
•	+	•/•/•

Example: 335-RZ-CC/GU

MODEL	
135	3.33 mV/V
235	5 Vdc
335	4 - 20 mA

PRESSURE RANGE	
(PSI)	(BAR)
RH 50	UV 50
RK 75	UX 75
RM 100	UY 100
RO 150	VA 200
RT 200	VC 350
RV 300	VD 500
RX 500	VE 700
RZ 750	UA 1000
SB 750	UH 1400
SD 750	UC 2000
SF 750	
SZ	Other

OPTIONS

AA None (standard connector PTIH-10-6P)

ALTERNATE CONNECTOR OR CABLE

CC Bendix PC02E-12-8P, [Mate: PC06A-12-8S-(SR), not included]
 CD Cannon WK6-32S, [Mate: WK6-21C, not included]
 CF 1/2" NPT(M) thread with 36" potted leads
 CZ Alternate Connector/ Cable/ Other

ALTERNATE PRESSURE PORT

FB M18 X 1.5 Metric Thread
 FG M14 X 1.5 Metric Thread
 FZ Non-Standard Pressure Port

GENERAL

GB Alternate Electronic Output
 Specify Zero and Span output values
 GP Hastelloy C-276 Diaphragm & Threads
 GQ Boron-Hardened diaphragm
 GU Type K Thermocouple
 QJ NaK Fill for 750°F max. applications
 GW NaK Fill with Inconel diaphragm and stem for 1000°F max. applications
 GV Silicone Oil Fill (Increases thermal shift)
 Consult factory
 GX Mineral Oil Fill (Increases thermal shift)
 Consult factory
 GZ Customer Special
 JL Adjustable Shunt Calibration
 JW Titanium Nitride-Coated Diaphragm & Threads
 MO Gentran Wiring
 MP Barber-Colman Wiring
 JA Removable 100 ohm 3 wire RTD

RIGID STEM

GN 12.5" Rigid Stem

FLEX TUBING

GT 30" Armored Capillary Tube

Material in Contact with Pressure Media	15-5 PH Stainless steel and chrome plated diaphragm surface.																		
Proof Pressure	2 times full scale pressure range or 35,000 psig whichever is less																		
Temperature Limits	Diaphragm 750°F (400°C), 1000°F available with NaK fill Strain Gauge Housing 176°F (80°C)																		
Temperature Effects	From Fill Zero 8 psi/100°F per inch of stem and capillary From Strain Gauge Housing Zero Less than ± 1.0% FSO/100°F (± 2.0% FSO/100°C) Span Less than ± 1.0% FSO/100°F (± 2.0% FSO/100°C)																		
Electricals	<table border="0"> <tr> <td>Excitation Voltage</td> <td></td> <td>Output at 70° F</td> <td></td> </tr> <tr> <td>(Model 135)</td> <td>3.5-15 Vdc</td> <td>(Model 135)</td> <td>3.33 mV/V ± 2%</td> </tr> <tr> <td>(Model 235)</td> <td>9-40 Vdc</td> <td>(Model 235)</td> <td>5.0 Vdc ± 2%</td> </tr> <tr> <td>(Model 335)</td> <td>9-36 Vdc</td> <td>(Model 335)</td> <td>4-20 mA ± 2%</td> </tr> </table> Zero Balance (Model 135) 0.0 mV/V ± 5% FSO at 70°F (Model 235) 0.0 Vdc ± 2% FSO at 70°F (Model 335) 4.0 mA ± 2% FSO at 70°F Input Impedance (Model 135) 350 ohm, nominal Input Current (Model 235) 8 mA nominal Load Impedance (Model 135) 50,000 ohms minimum for less than 0.1% FSO attenuation. (Model 335) 1350 ohms max. at 36 Vdc & 750 ohms 24 Vdc Output Current (Model 235) 2.0 mA maximum for less than 0.1% FSO attenuation. Range Ca. Signal 80% ± 0.5% FSO standard			Excitation Voltage		Output at 70° F		(Model 135)	3.5-15 Vdc	(Model 135)	3.33 mV/V ± 2%	(Model 235)	9-40 Vdc	(Model 235)	5.0 Vdc ± 2%	(Model 335)	9-36 Vdc	(Model 335)	4-20 mA ± 2%
Excitation Voltage		Output at 70° F																	
(Model 135)	3.5-15 Vdc	(Model 135)	3.33 mV/V ± 2%																
(Model 235)	9-40 Vdc	(Model 235)	5.0 Vdc ± 2%																
(Model 335)	9-36 Vdc	(Model 335)	4-20 mA ± 2%																
Signal Connector	PTIH-10-6P, standard Mate PT06A-10-6S (SR), not included																		
Thermocouple Connector	Standard 2 pole, 7/16" pin spacing																		
Pressure Connection	1/2" - 20UNF - 2A thread for standard extruder pressure port																		
Mounting Torque	500 inch pounds, maximum																		

2770 Long Road, Grand Island, NY 14072 USA

Tel. (716) 773-9300 Fax (716) 773-5019 E-mail:sales@gp50.com website:www.gp50.com